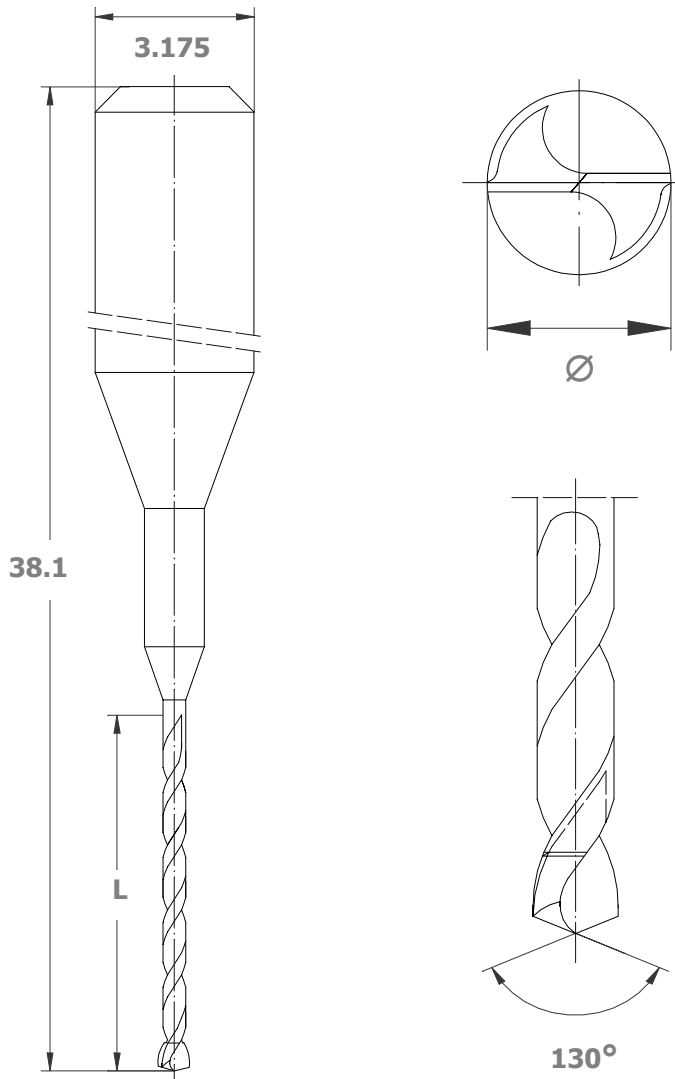


210

Multilayer drill made of solid carbide.
Application/Advantages:

- drilling of high layer boards
- improvement of hole quality



210	
Ø [mm]	L [mm]
	2.0 3.2 4.0 5.5 7.0
0.15	x*
0.20	x
0.25	x
0.30	x
0.35	x
0.40	x x
0.45	x x
0.50	x x

* on request