

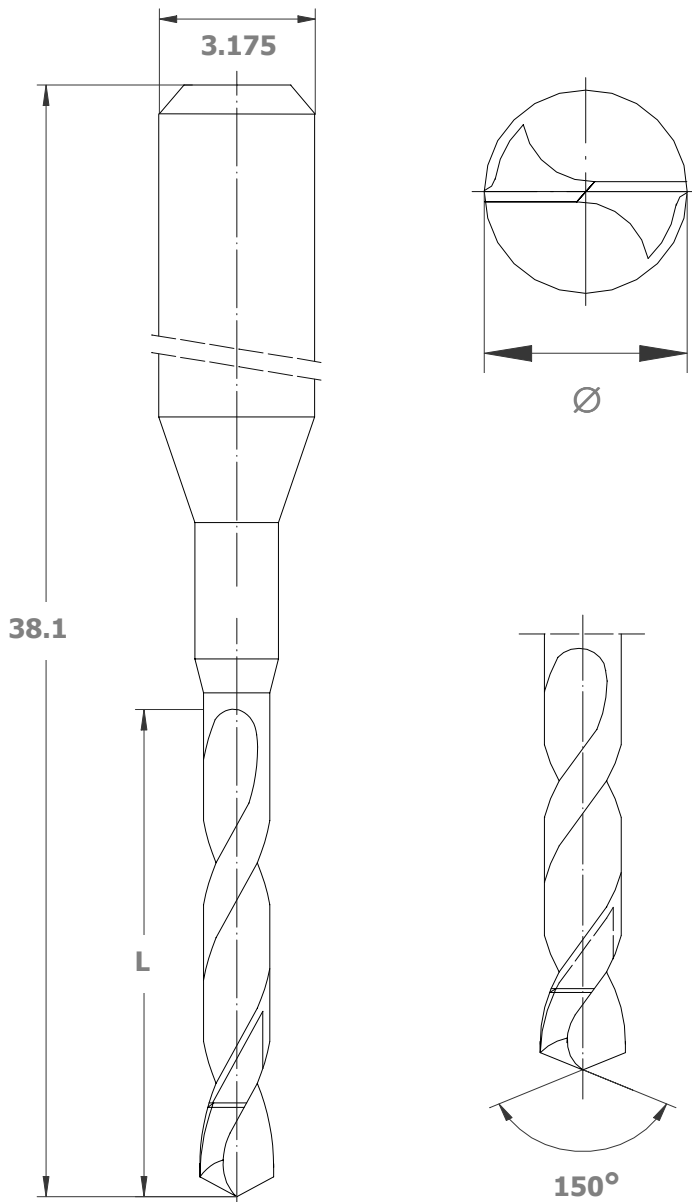


250

Slot drill made of solid carbide.

Application:

- drilling slots



250			
Ø [mm]	L [mm]		
	5.5	7.0	8.5
0.50	x	x	
0.55	x	x	
0.60	x	x	
0.65	x	x	
0.70		x	x
0.75		x	x
0.80		x	x
0.85		x	x
0.90		x	x
0.95		x	x
1.00			x
⋮			⋮
2.50			x
2.55			x*
2.60			x*
⋮			⋮
3.15			x*
3.175			x*

* on request