

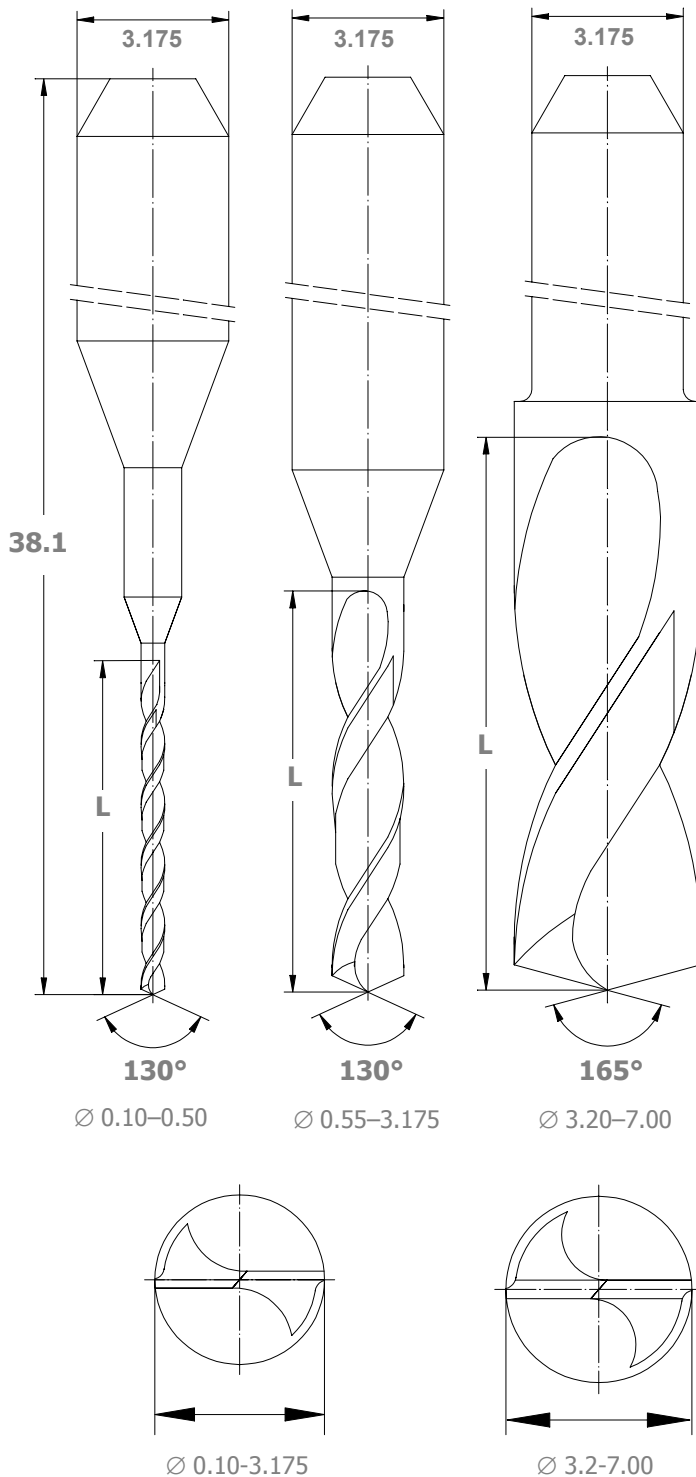


# 530

**Standard drill made of solid carbide.**

**Application:**

- for all standard products



530				
$\varnothing$ [ mm ]	L [ mm ]			
	3.5	5.5	7.0	8.5
0.25	x			
0.30		x	x	
0.35		x	x	
0.40		x	x	x*
0.45			x	x
0.50			x	x
0.55			x	x
0.60			x	x
0.65			x	x

$\varnothing$ [ mm ]	L [ mm ]	
	10.5	12.0
0.70	x	
0.75	x	
0.80	x	
⋮	⋮	
3.15	x	
3.175	x	
3.20		x
3.25		x
3.30		x
⋮		⋮
6.95		x
7.00		x

\* on request