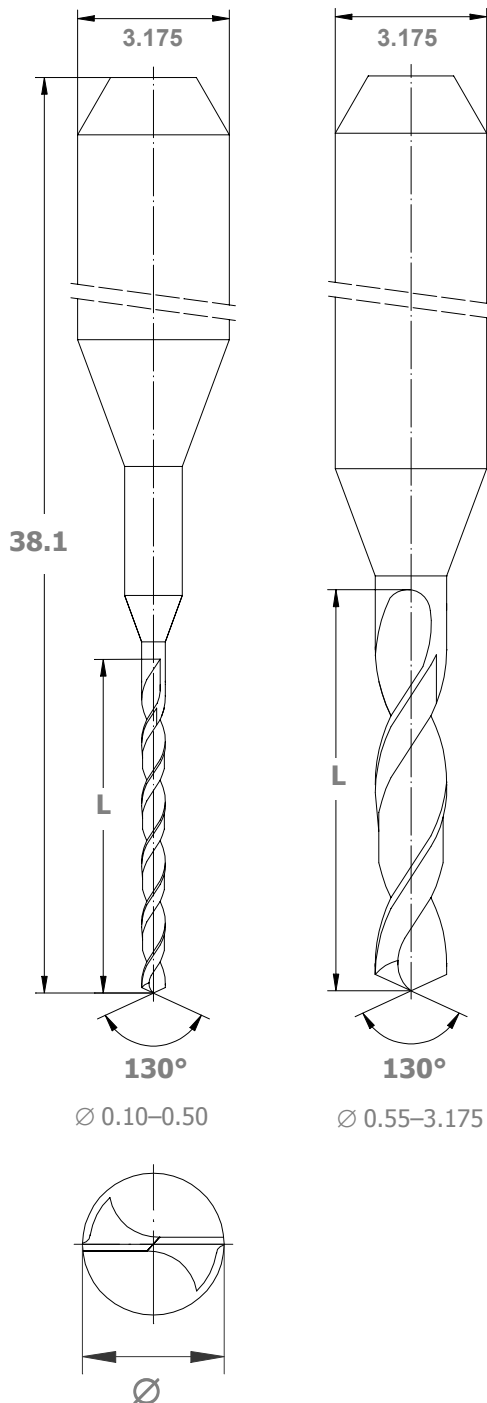


# 540

**Multilayer drill made of solid carbide.**

**Application/Advantages:**

- drilling of high layer boards
- drilling of thick panels
- improvement of hole quality



		540									
Ø [mm]	L [mm]										
	0.6	1.0	1.5	2.0	2.5	3.2	4.0	5.5	6.5	7.0	
0.050	x*										
0.075		x*									
0.10			x								
0.15				x							
0.20					x	x	x*				
0.25						x	x				
0.30								x	x		
0.35								x		x	
0.40								x		x	
0.45										x	
0.50										x	

Ø [mm]	L [mm]		
	8.5	9.5	10.5
0.55	x		
0.60	x		
0.65	x		
0.70		x	
0.75		x	
0.80		x	
0.85			x
0.90			x
0.95			x
1.00			x
1.05			x
1.10			x
1.15			x

\* on request