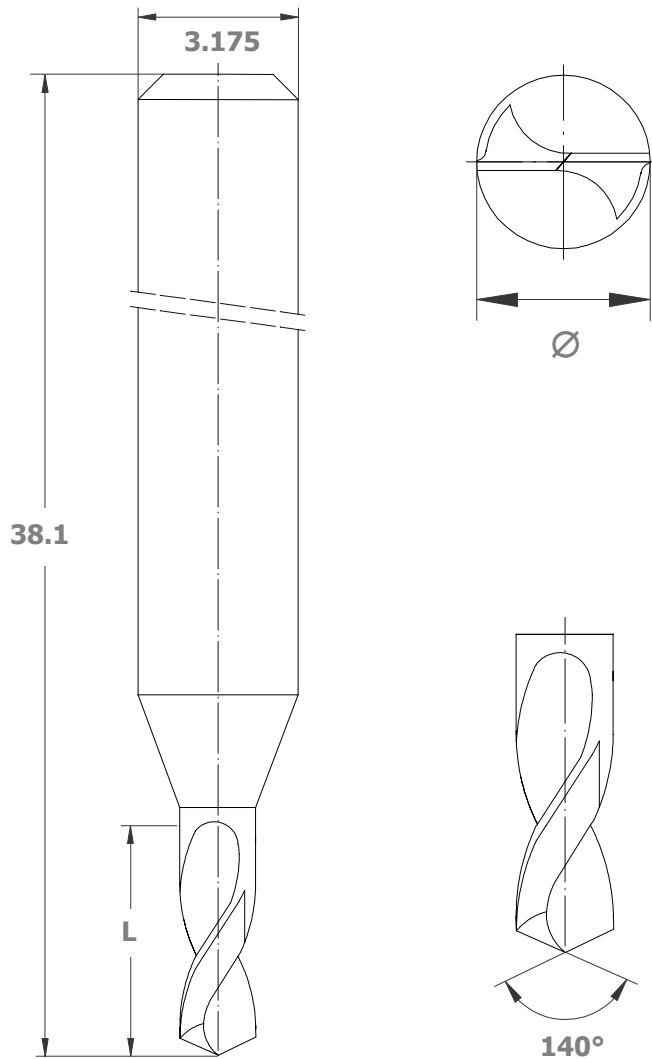


# 580

**Center drill made of solid carbide.**

**Applications/Advantages:**

- excellent position accuracy
- drilling of via holes and inner layers
- registration holes for laser



580		
Ø [ mm ]	L [ mm ]	
	2.5	3.0
0.30	x*	
0.35	x*	
0.40	x	
0.45		x
0.50		x
0.55		x
0.60		x

\* on request