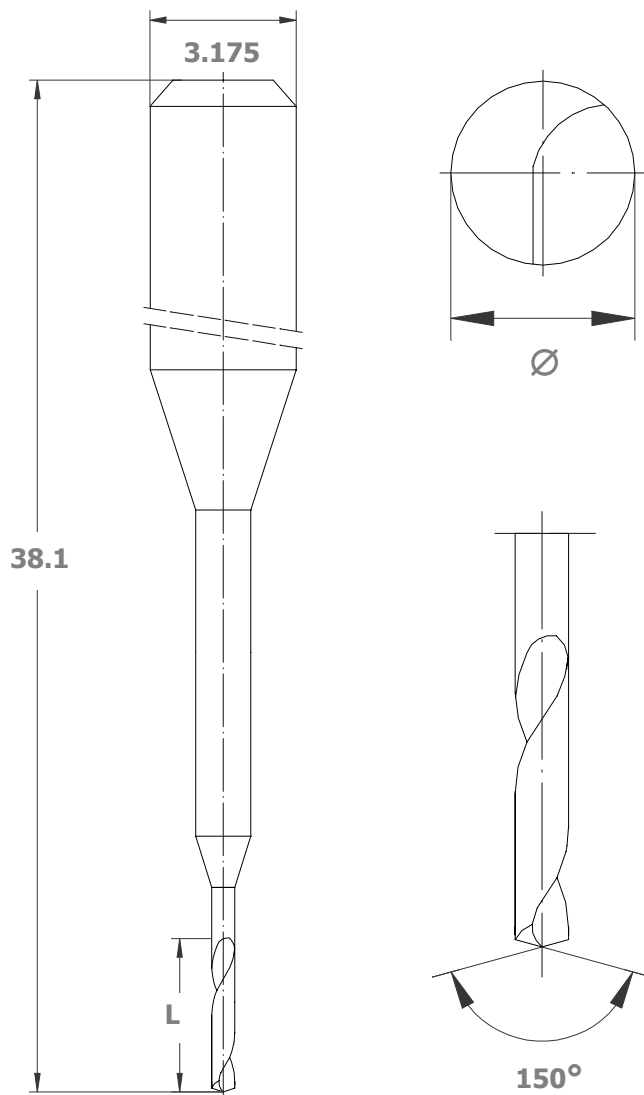


# 590

**Microvia drill made of solid carbide.**

**Applications/Advantages:**

- drilling of small through holes and via holes
- foils and inner layers
- excellent hole quality and high position accuracy



590			
Ø [ mm ]	L [ mm ]		
	0.8	2.0	2.5
0.075	x		
0.10	x		
0.15		x	
0.20			x