

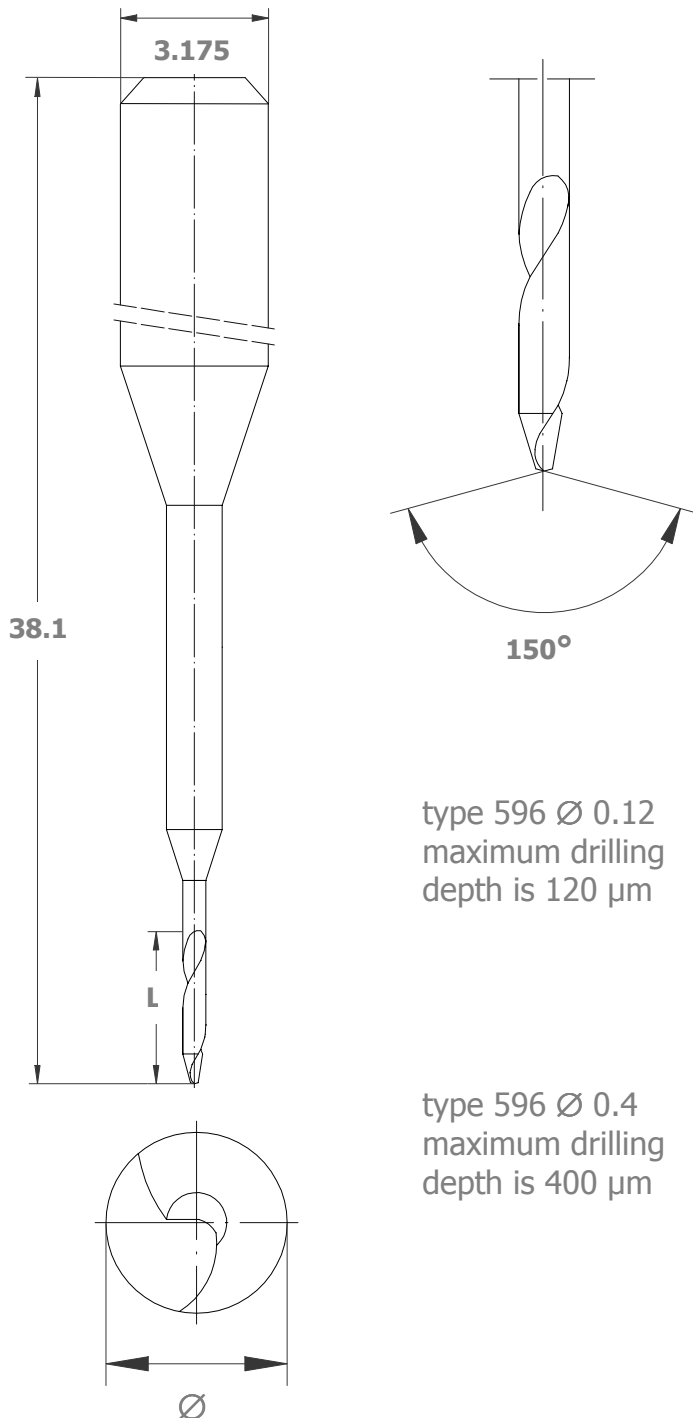


596

Microvia drill with tapered outer diameter made of solid carbide.

Application/Advantages:

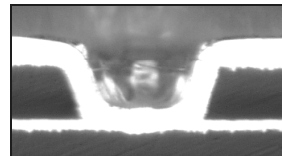
- drilling of microvias (blind holes)
- excellent hole quality and high position accuracy



		596		
Ø [mm]	L [mm]			
	0.5	1.0	2.5	
0.12	x			
0.15	x*			
0.20		x*		
0.25		x*		
0.40			x	

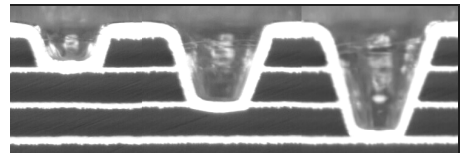
Remark:
other diameters / drilling depths
*on request

type 596 Ø 0.12
maximum drilling
depth is 120 µm



mechanical drilled microvias to
the first inner layer

type 596 Ø 0.4
maximum drilling
depth is 400 µm



mechanical drilled microvias to
three inner layers