



# 626

Router made of solid carbide with diamond-patterned teeth.

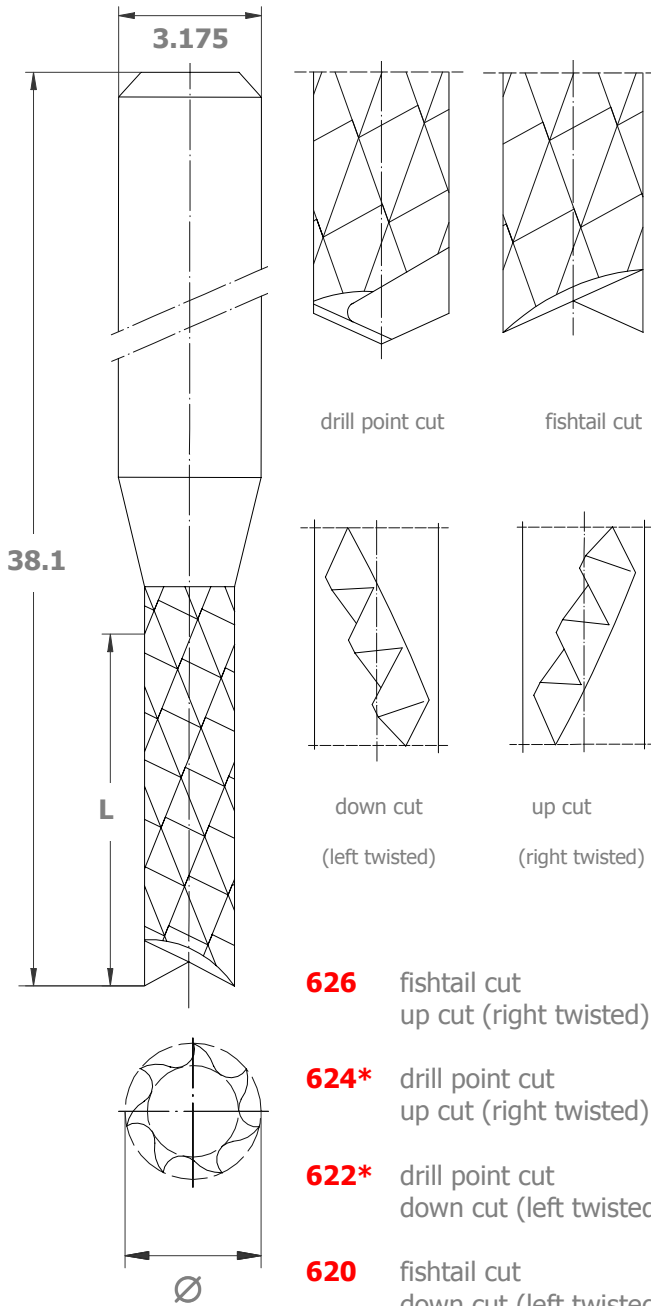
Applications:

- standard router for inner and outer contour
- glass-epoxy based materials

# 624

# 622

# 620



**626** fishtail cut  
up cut (right twisted)

**624\*** drill point cut  
up cut (right twisted)

**622\*** drill point cut  
down cut (left twisted)

**620** fishtail cut  
down cut (left twisted)

\* on request

Ø [mm]	L [mm]			Standard
	7,0	8,0	10,0	
1.0	x			626 / 620
1.1	x			626
1.2	x			626 / 620
1.3	x			626
1.4	x			626
1.5		x		626
1.6		x		626 / 620
1.7		x		626
1.8		x		626
1.9		x		626
2.0		x	x	626 / 620
2.1		x		626
2.2		x		626
2.3		x		626
2.4		x	x	626 / 620
2.5		x		626
3.0			x	626
3.175			x	626