



# 726

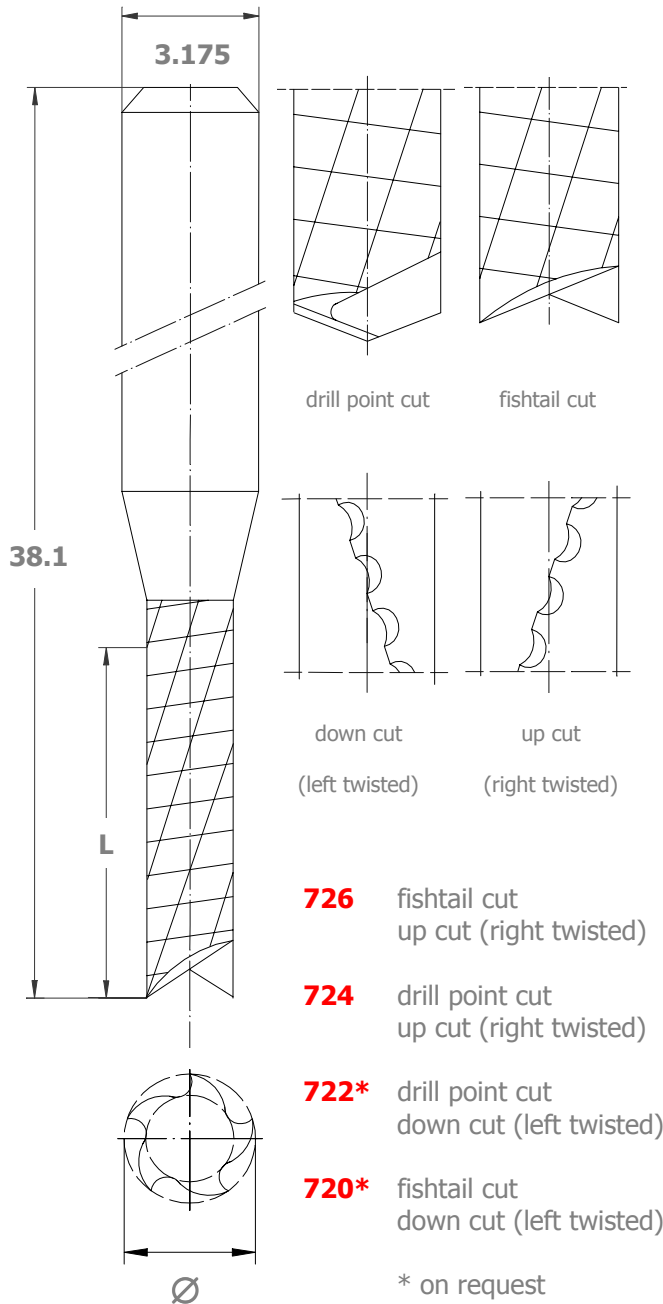
# 724

# 722

# 720

**Router made of solid carbide with spiral-patterned teeth.**  
**Applications/Advantages:**

- standard router for inner and outer contour
- all kind of glass-epoxy based materials
- excellent chip transport and surface finish



Ø [mm]	L [mm]						Standard
	3	3.5	5.0	7.0	8.5	9.0	
0.5	x*						726
0.6		x*					726
0.7		x*					726
0.8			x				726
0.9			x				726
1.0			x	x	x*		726 / 724
1.1				x	x*		726
1.2				x	x*		726 / 724
1.3				x	x*		726
1.4				x	x*		726
1.5					x		726
1.6					x		726 / 724
1.7					x		726
1.8					x		726
1.9					x		726
2.0						x	726 / 724
2.1						x	726
2.2						x	726
2.3						x	726
2.4						x	726 / 724
2.5						x	726
3.0						x	726
3.175						x	726