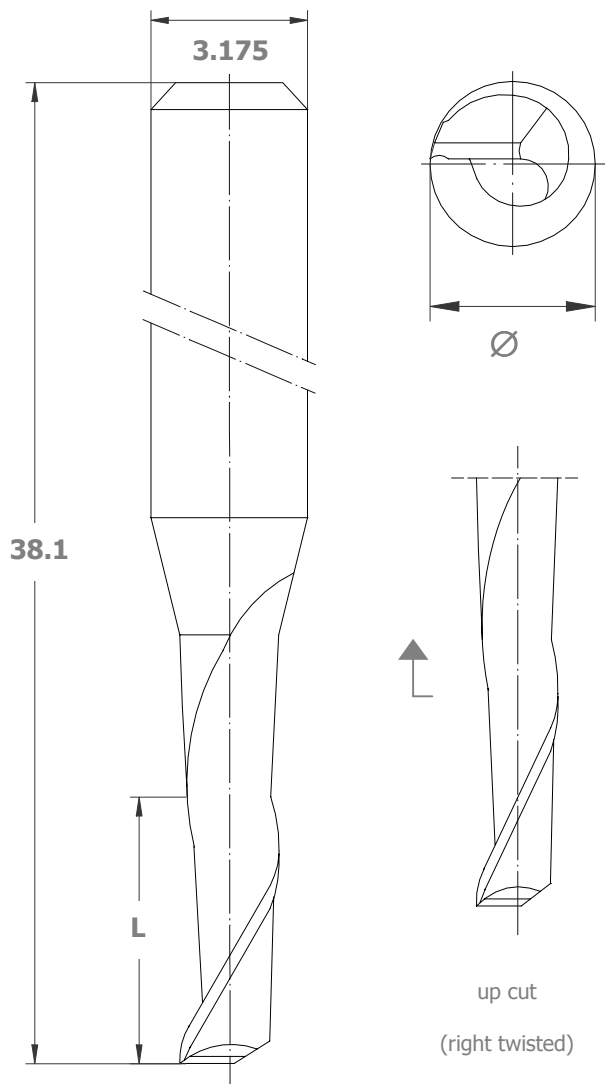


818

1-Flute router made of solid carbide.

Application/Advantages:

- soft plastic, foils, PE, PTFE, PMMA, polyimide
- thin prepregs
- Al, Cu, brass
- best surface quality



Ø [mm]	L [mm]					
	1.5	3.0	4.0	5.0	8.0	9.0
0.4	x*					
0.5		x*				
0.6		x*				
0.7		x*				
0.8		x				
0.9		x				
1.0		x				
1.1		x				
1.2			x			
1.3			x			
1.4			x			
1.5			x			
1.6				x		
1.7				x		
1.8				x		
1.9				x		
2.0					x	
2.4					x	
3.0						x
3.175						x

818 flat end cut
up cut (right twisted)

* on request