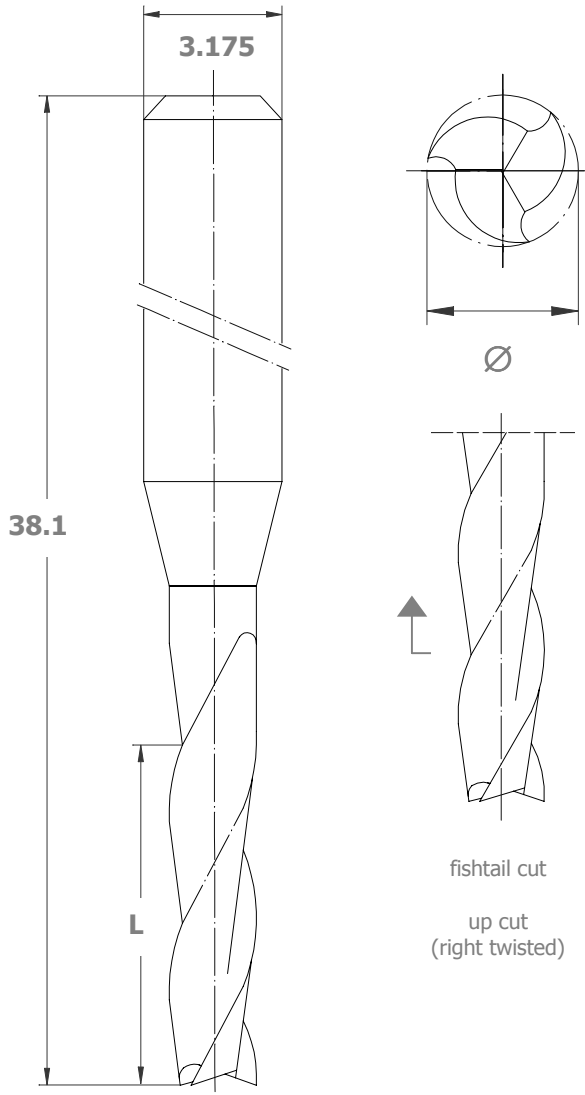


# 836

## 3-Flute router made of solid carbide.

### Applications:

- routing slots
- routing of metal surfaces



Ø [mm]	L [mm]		
	5.0	7.0	9.0
1.0	x		
1.1	x		
1.2	x		
1.3	x		
1.4	x		
1.5		x	
1.6		x	
1.7		x	
1.8		x	
1.9		x	
2.0			x
2.1			x
2.2			x
2.3			x
2.4			x
2.5			x

**836** fishtail cut  
up cut (right twisted)