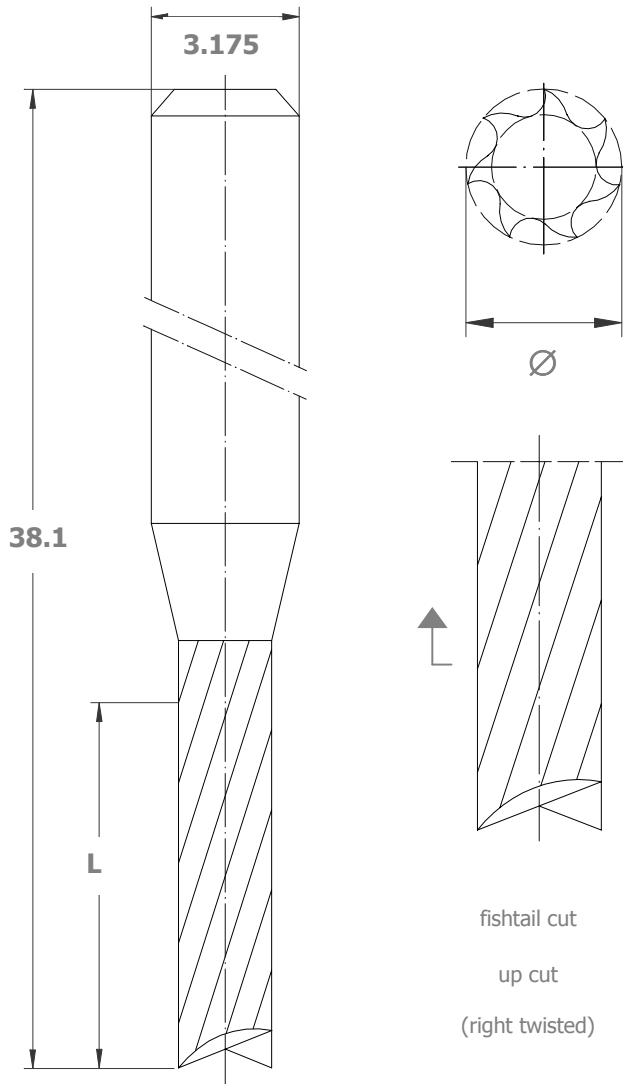


876

Contour finishing router made of solid carbide.

Application:

- burr-free routing of metal surfaces (goldfingers) and metal composite laminates



Ø [mm]	L [mm] 7.0
1.6	x
2.0	x
2.4	x

Remark:
other diameters on request

876 fishtail cut
up cut (right twisted)